



SPILLIS CANDELA DMJM

800 DOUGLAS ENTRANCE, SUITE 200
CORAL GABLES, FL 33134
T: 305-444-4691 F: 305-447-3580
www.spilliscandeladmjm.com

FLORIDA LICENSE AA0003298

LANDSCAPE ARCHITECTURE

SAVINO & MILLER DESIGN STUDIO
12345 NE 6TH AVENUE, MIAMI, FLORIDA 33161
Tel: (305) 892-9082 Fax: (305) 895-9083

**ESTIMATING CONSULTANT
CMS CONSTRUCTION MANAGEMENT SERVICES**
10 PAMPAY DRIVE, SUITE 301, DEERFIELD BEACH, FL 33441
Tel: (954) 481-1611 Fax: (954) 427-3142

**COASTAL CONSTRUCTION
EDC CORPORATION**
2455 SW 27TH AVENUE, MIAMI, FLORIDA 33145
Tel: (305) 858-8100 Fax: (305) 858-4760

**FOOD SERVICES CONSULTANT
SYSTEMS DESIGN INTERNATIONAL**
110 GRET BRUNNEN BOULEVARD, FT. LAUDERDALE, FL 33301
Tel: (954) 315-3855 Fax: (954) 208-9018

**POOL CONSULTANT
AQUADYNAMICS, INC.**
5000 SW 75TH AVE, SUITE 203, MIAMI, FLORIDA 33155
Tel: (305) 667-8975 Fax: (305) 662-1002

**LEED CONSULTANT
SPINNAKER GROUP, INC.**
501 SPINNAKER, WESTON, FL 33326
Tel: (954) 347-0967 Fax: (954) 217-3614

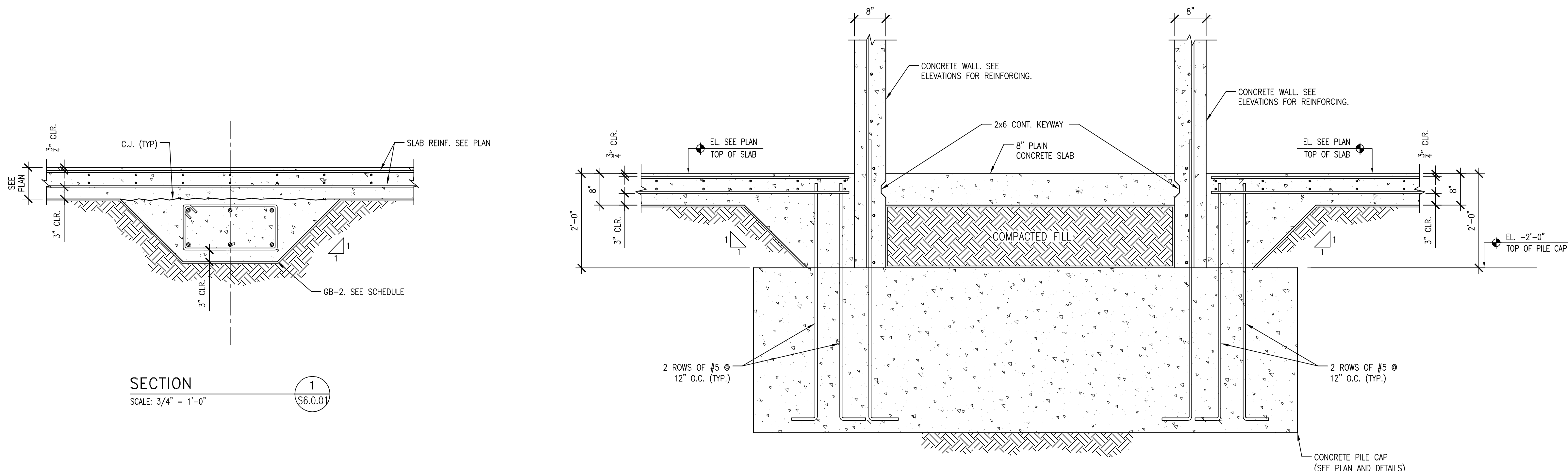
PROFESSIONAL OF RECORD: W. RONALD HUNT
DISCIPLINE: STRUCTURAL ENGINEERING
REGISTRATION NO.: 196689

MARK	DATE	DESCRIPTION

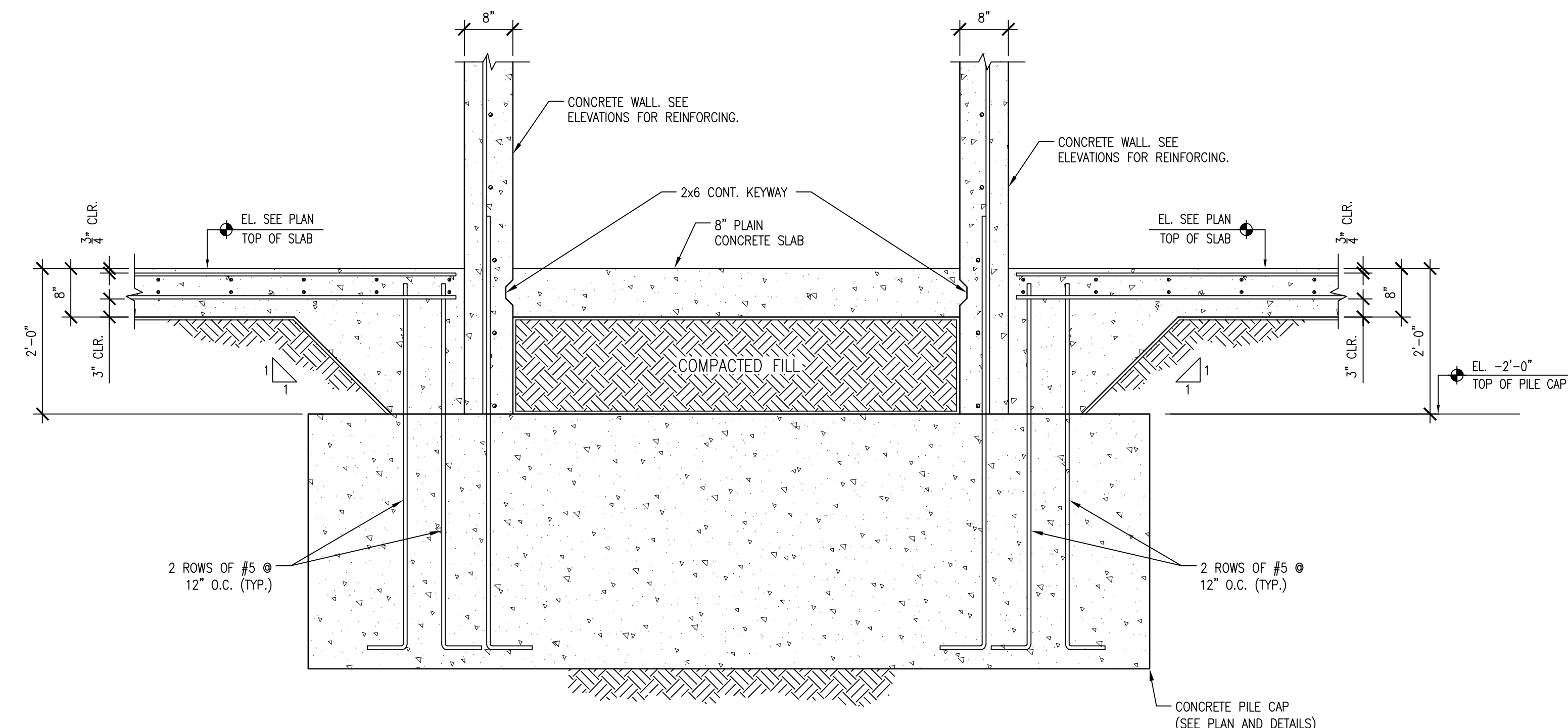
PROJECT NO: **60028604**
DRAWN BY: **ALEJANDROP**
CHECKED BY: **ALEJANDROP**
DATE: **10-22-2009**

**SECTIONS
AND DETAILS**

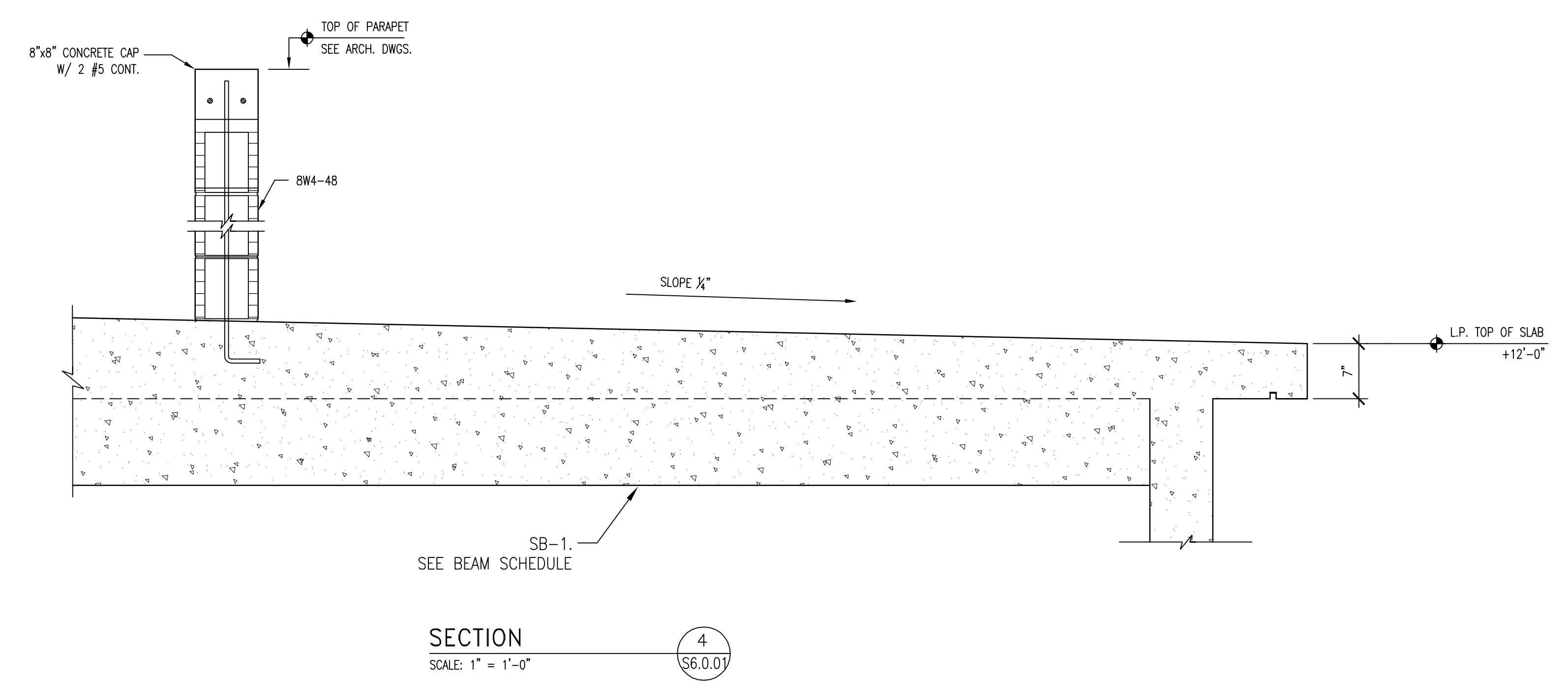
S6.0.01



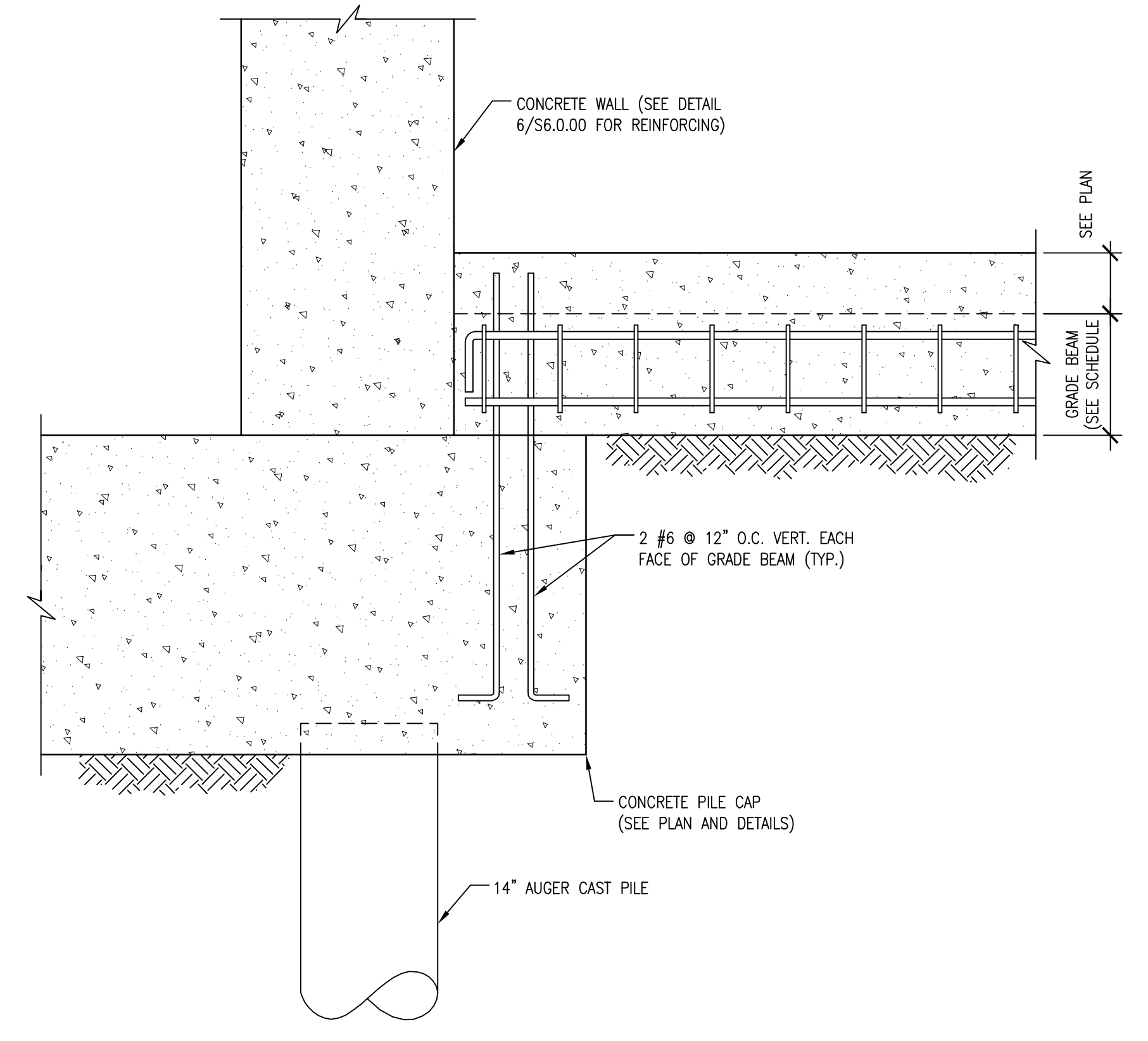
SECTION 1
SCALE: 3/4" = 1'-0"
S6.0.01



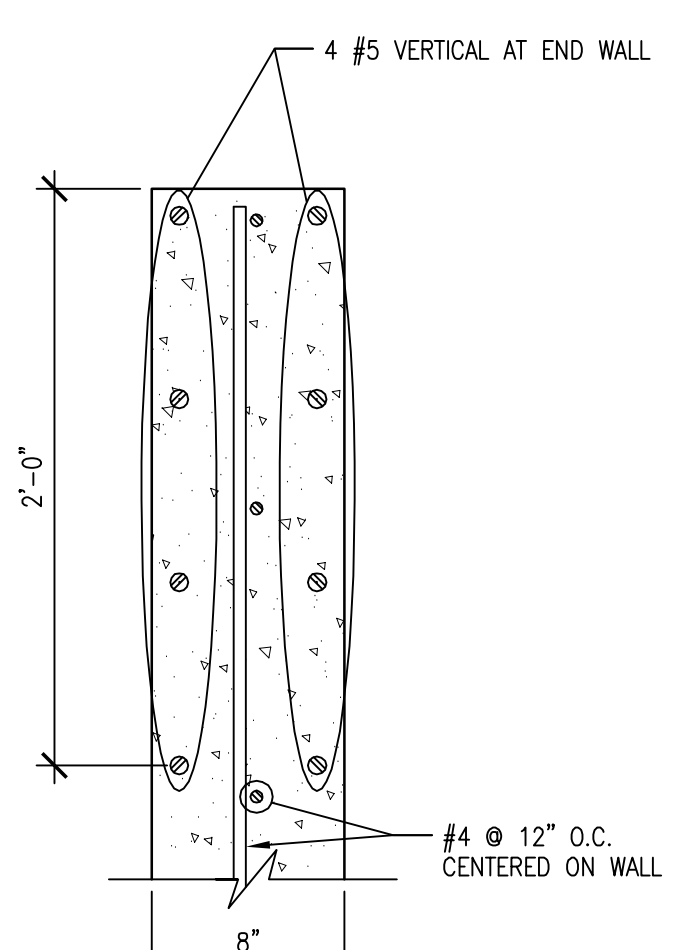
SECTION 2
SCALE: 3/4" = 1'-0"
S6.0.01



SECTION 3
SCALE: 1" = 1'-0"
S6.0.01



SECTION 4
SCALE: 3/4" = 1'-0"
S6.0.01



DETAIL (PLAN) B
SCALE: 1 1/2" = 1'-0"
S6.0.01